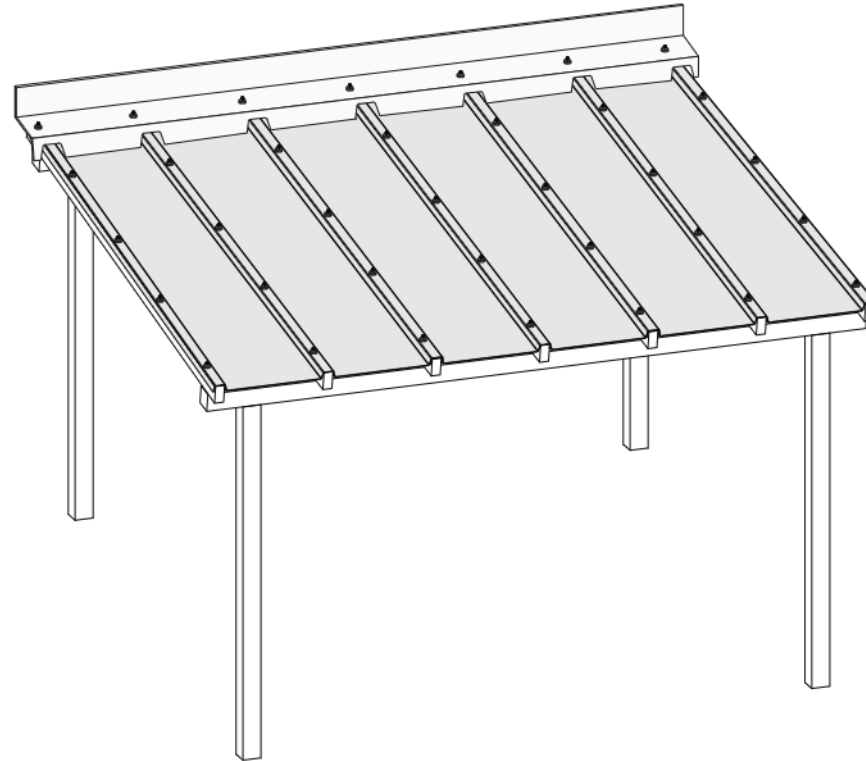


EZ Glaze™ | Installation Guide



Easy to install



Rafter installation



Glass appearance



Clear & elegant



UV resistance



Premium solution



EZ Glaze™ - Product page 



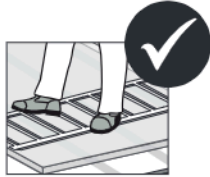
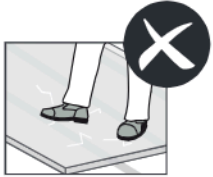
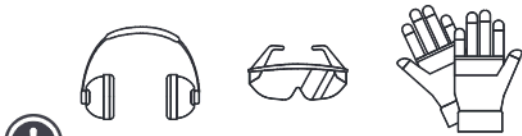
Installation video 



PALRAM website 

Before Installation

Recommended safety equipment



Do not step directly on the sheets between the rafters!
When installing EZ Glaze or doing maintenance work, always use ladders or crawl boards, supported by minimum three roof structural elements.

Required tools

Drill



Electric screwdriver



Ladder



Jigsaw or circular saw



Measuring tape

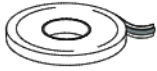


Accessories

Foam tape



Butyl sealing tape



Headwall flashing



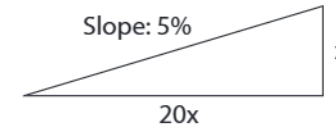
Silicone sealer



Wood screw with 25mm EPDM washer



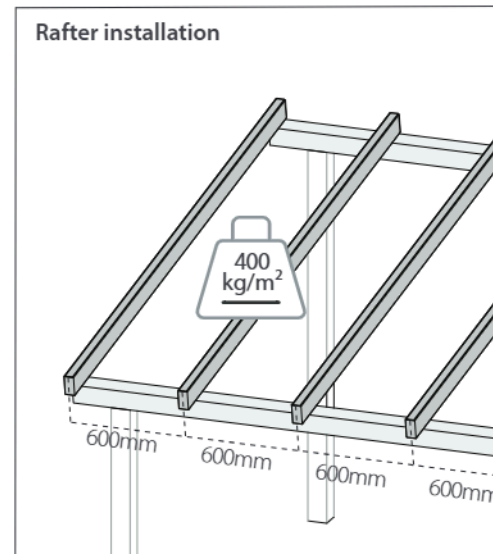
Minimum roof slope



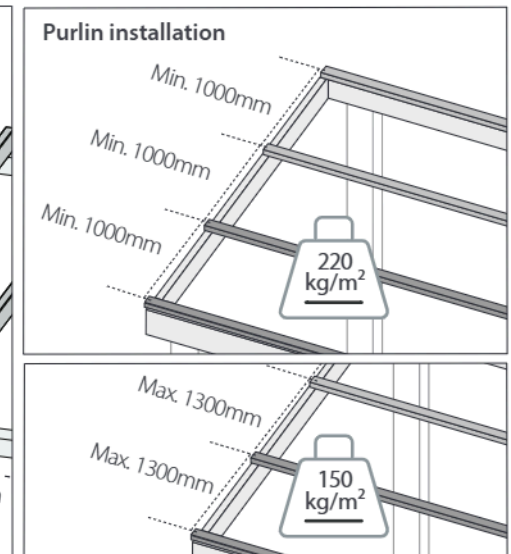
Profile range	Profile	Rafter width	Profile Dimension
	EZ Glaze 50	40-50mm	
EZ Glaze 60	50-60mm		

Installation method

Rafter installation

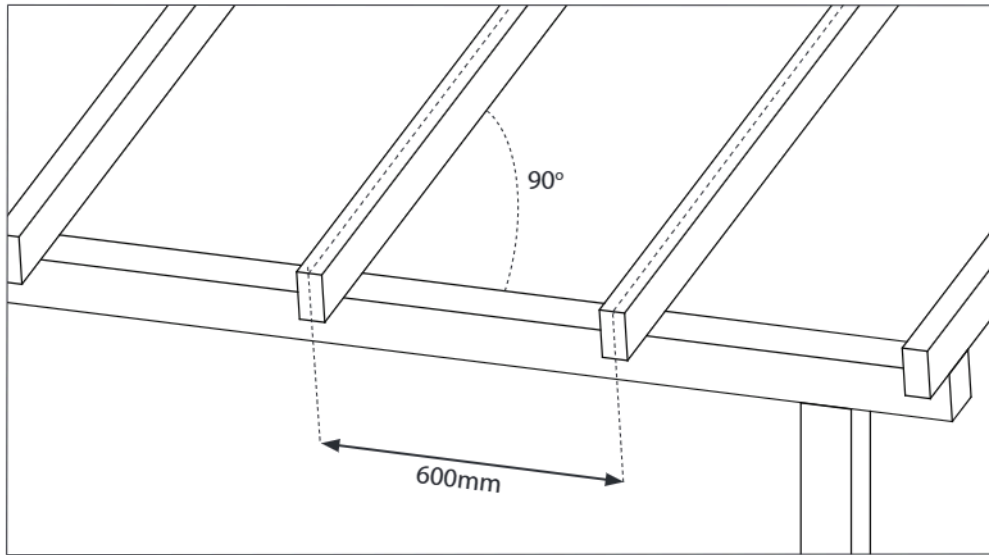


Purlin installation

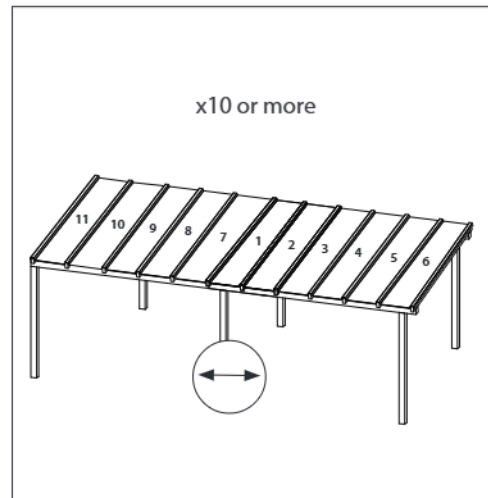
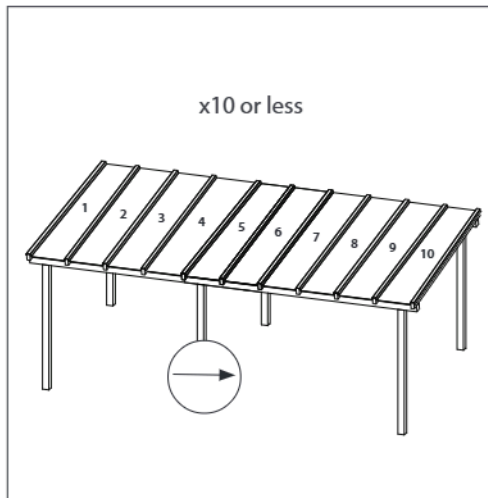


Before Installation

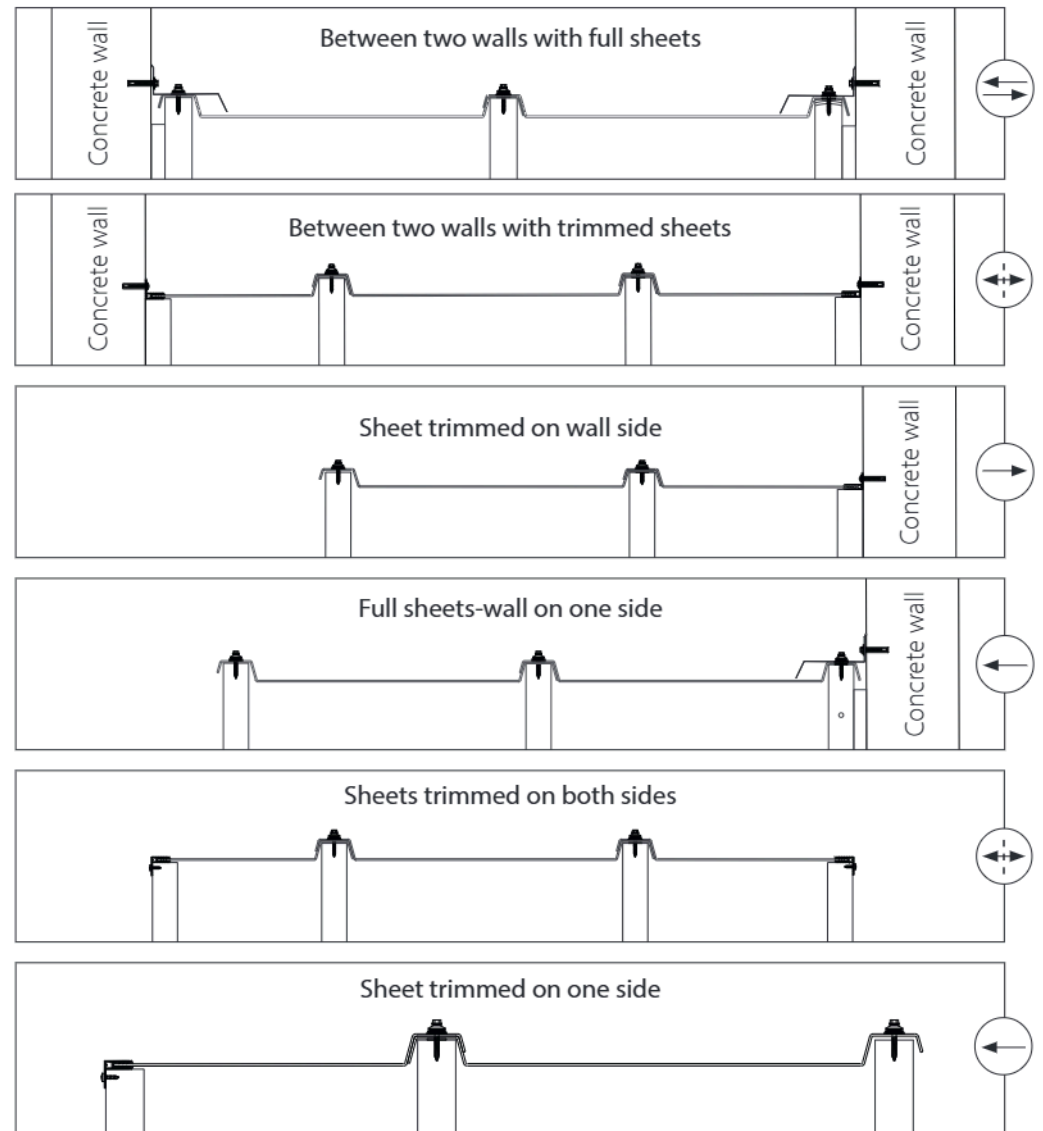
Rafter spacing



Installation direction recommendation

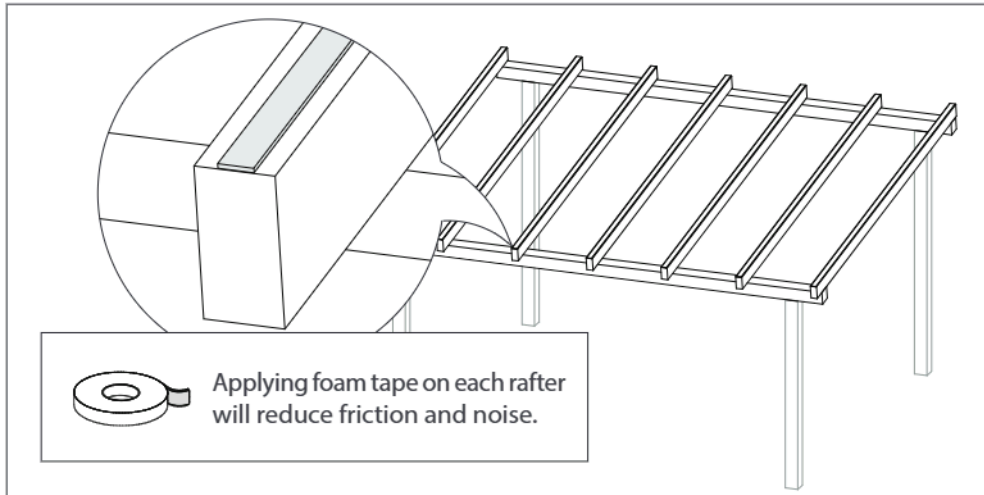


Installation variation and directions

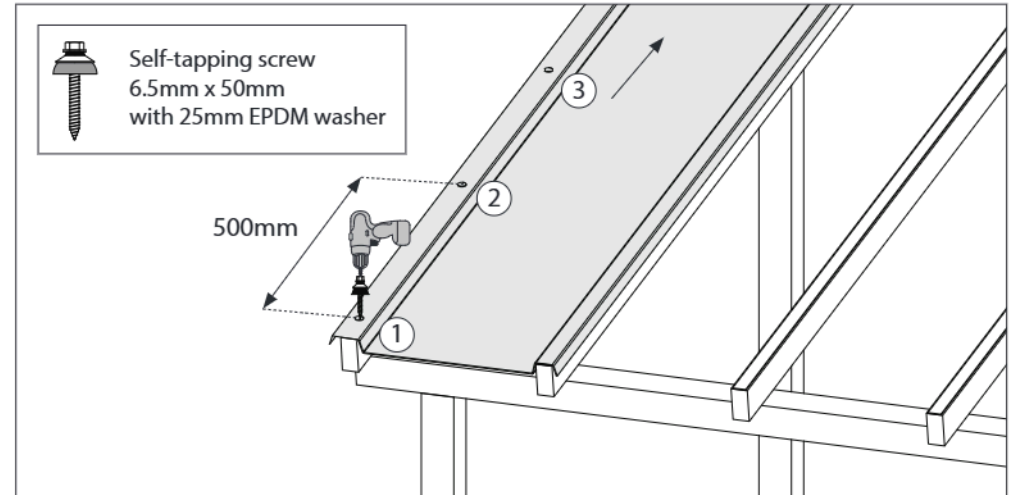


Installation

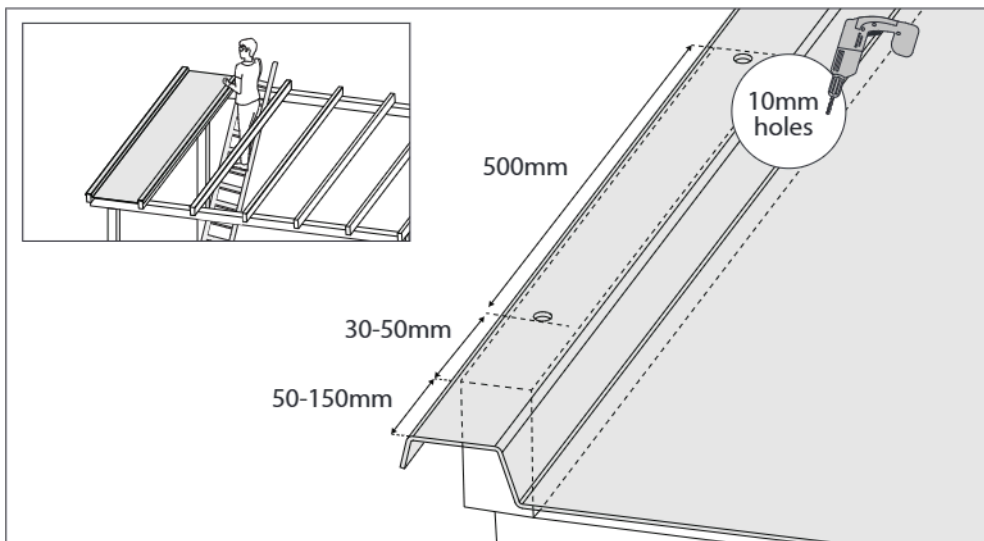
1 Foam tape application



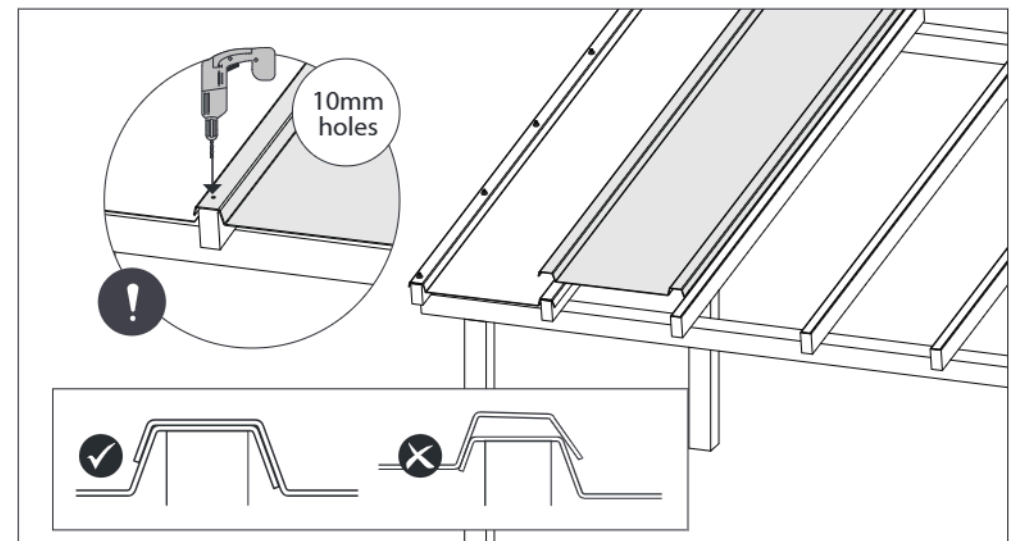
3 Fixing the first EZ Glaze panel



2 Setting the first EZ Glaze panel

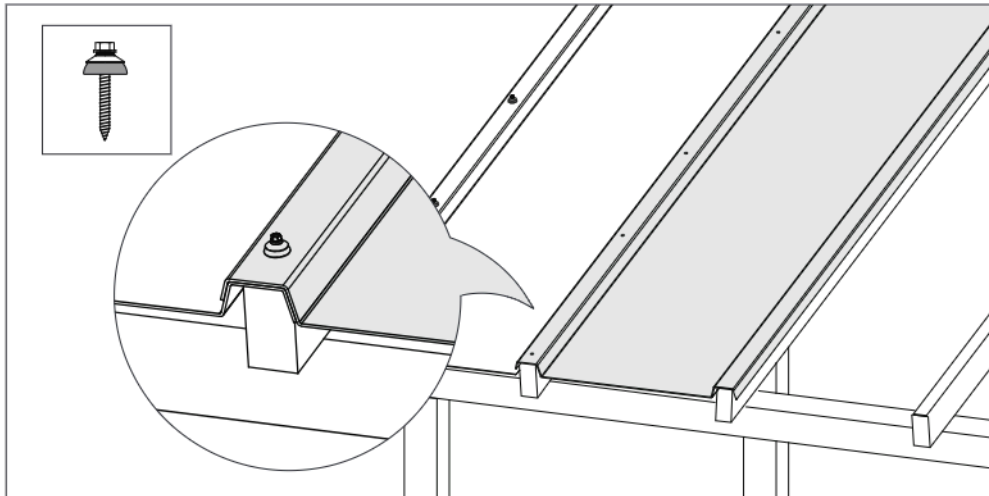


4 Setting the second EZ Glaze panel

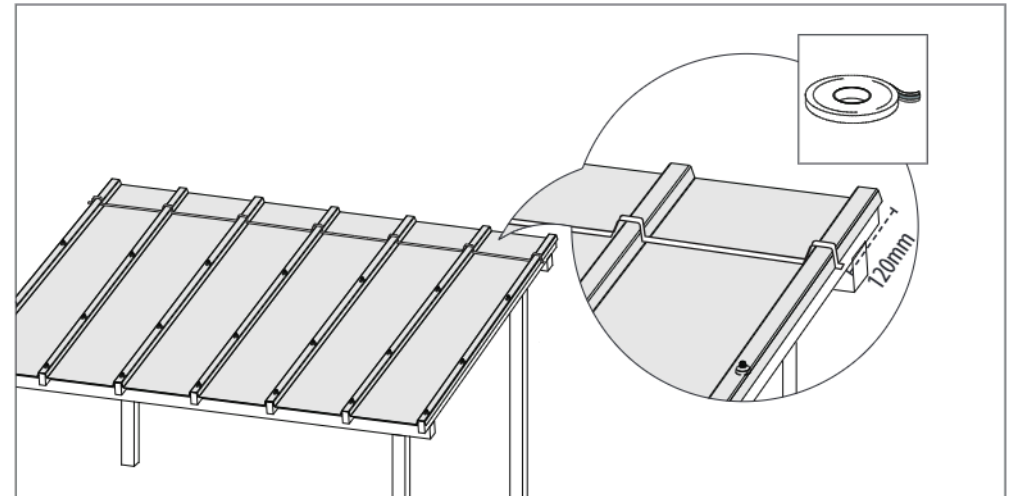


Installation

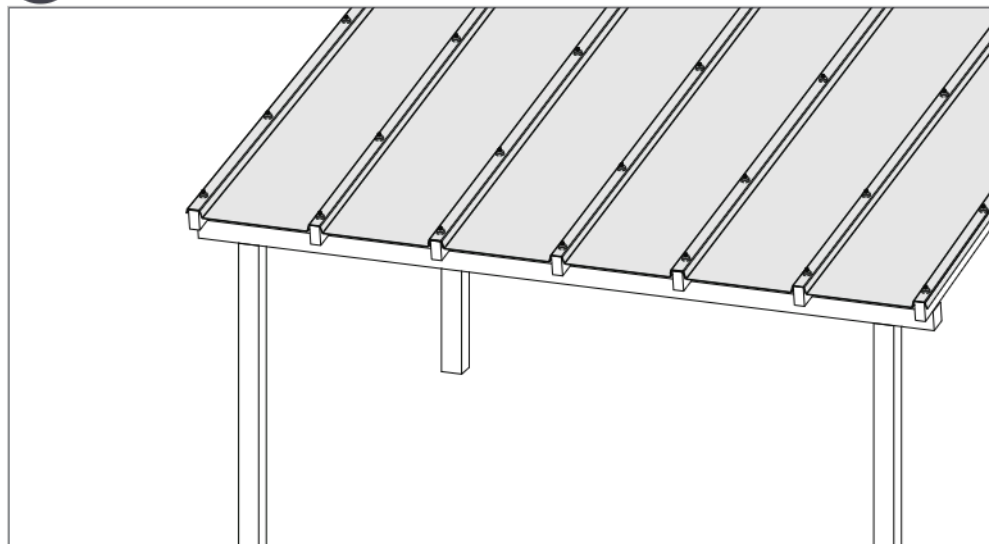
5 Fixing the second EZ Glaze panel



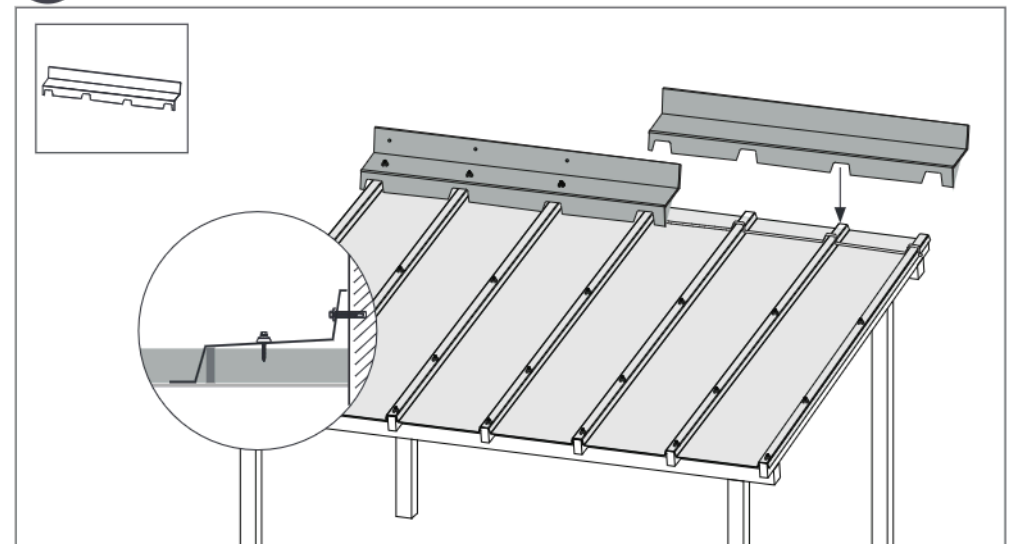
7 Applying butyl tape



6 Repeat stages 4-5 until the pergola is fully covered

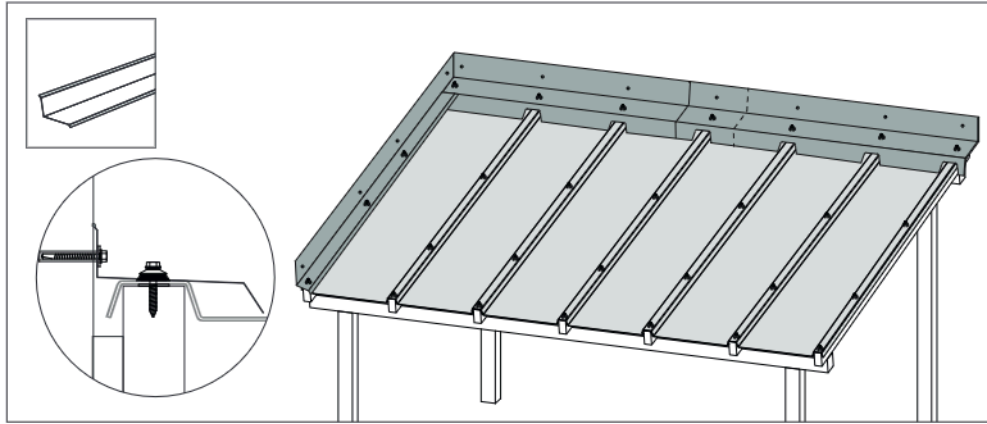


8 Installing head wall flashing (purchased separately)

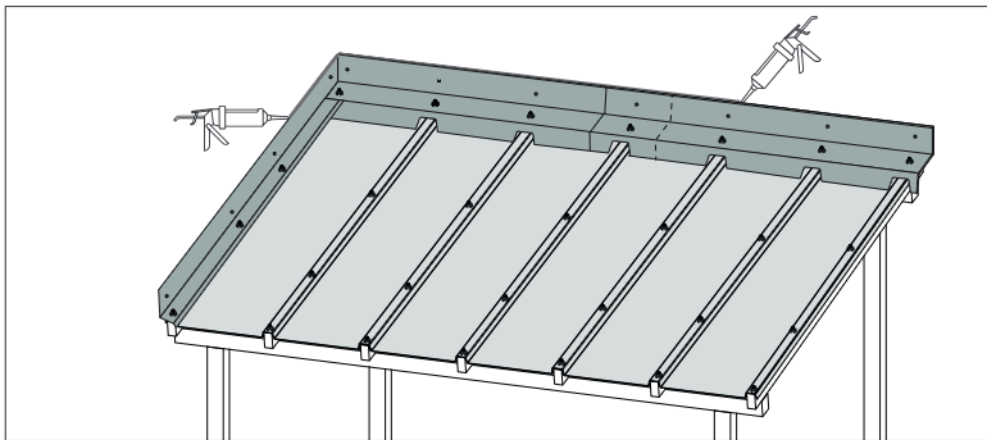


Installation - Finishing Accessories

9 Installing side wall flashing (purchased separately)



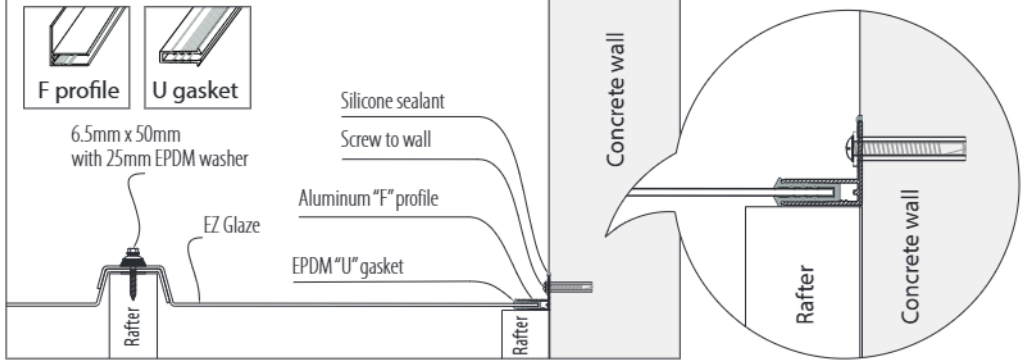
10 Applying silicone (purchased separately)



Installation - Finishing

! Side wall finish when the panel is trimmed (purchased separately)

Installation to side wall



Installation with no side wall

